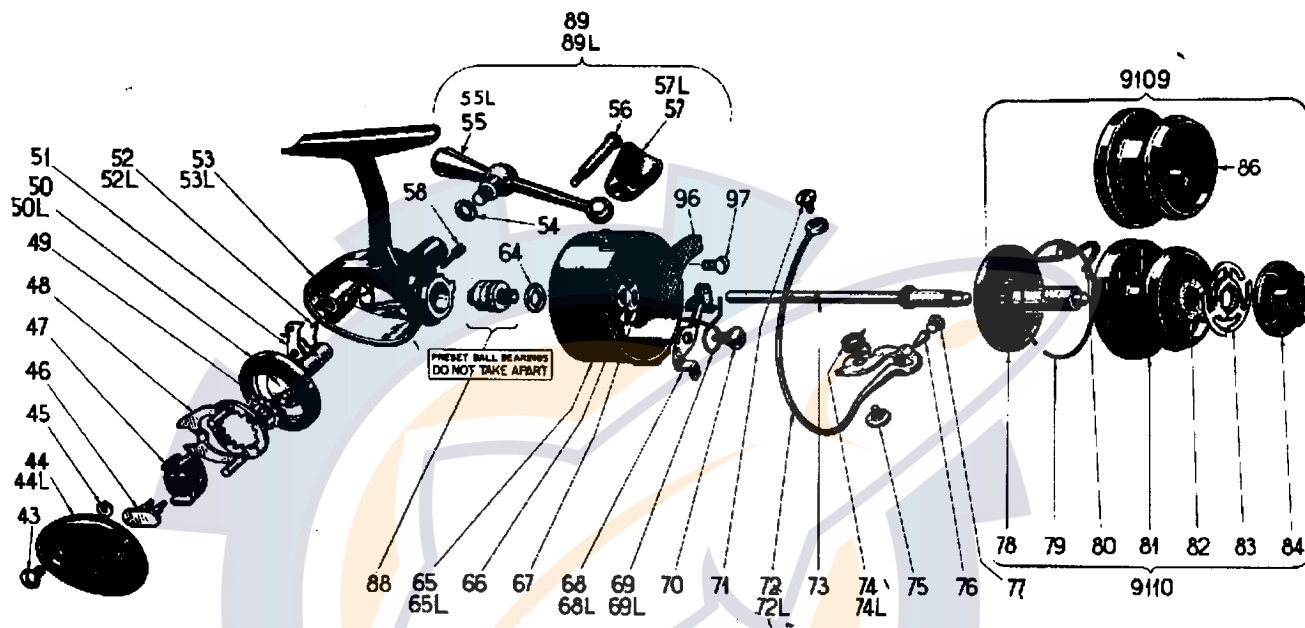




# MITCHELL 308-309



Red items for left-hand reels only.

No.	Part Name	Price	No.	Part Name	Price	No.	Part Name	Price
43	Cover lock screw	.20	57	Handle knob (308)	.15	76	Line guide	.75
44	Cover plate (308)	.75	57L	Handle knob (309)	.15	77	Line guide screw	.10
44L	Cover plate (309)	.75	58	Pinion gear assembly set screw	.10	78	Spool spindle	1.00
45	"C" lock	.05	64	"D" spacer	.05	79	Spool line clip	.05
46	Slide lock	.20	65	Rotating head (308)	2.00	80	Click spring	.10
47	Slide	.25	65L	Rotating head (309)	2.00	81	Spool shell, large capacity	2.00
48	Cam ring assembly	.50	66	Lock nut washer	.05	82	Fiber washer (for large capacity spool only)	.05
49	Planomatic gear	.50	67	Lock nut	.15	83	Brake spring	.25
50	Driving plate (308)	3.00	68	Trip lever (308)	.50	84	Wing nut	.15
50L	Driving gear (309)	3.00	68L	Trip lever (309)	.50	86	Spool shell, small capacity	2.00
51	Anti-reverse dog	.10	69	Trip lever spring (308)	.10	88	Pinion gear and ball bearing assembly (DO NOT TAKE APART)	4.00
52	Anti-reverse spring (308)	.10	69L	Trip lever spring (309)	.10	89	Handle, complete (308)	1.50
52L	Anti-reverse spring (309)	.10	70	Trip lever screw	.10	89L	Handle, complete (309)	1.50
53	Housing (308)	4.00	71	Bail screw #2	.15	96	Counterweight	.50
53L	Housing (309)	4.00	72	Bail (308)	2.25	97	Counterweight screw	.05
54	Handle spacer	.05	72L	Bail (309)	2.25	9109	Spool with container, complete, small capacity	3.50
55	Handle shank (308)	1.25	73	Reel axle	.75	9110	Spool with container, complete, large capacity	3.50
56	Handle knob screw	.10	74	Bail spring (308)	.10			
55L	Handle shank (309)	1.25	74L	Bail spring (309)	.10			
			75	Bail screw #1	.15			

